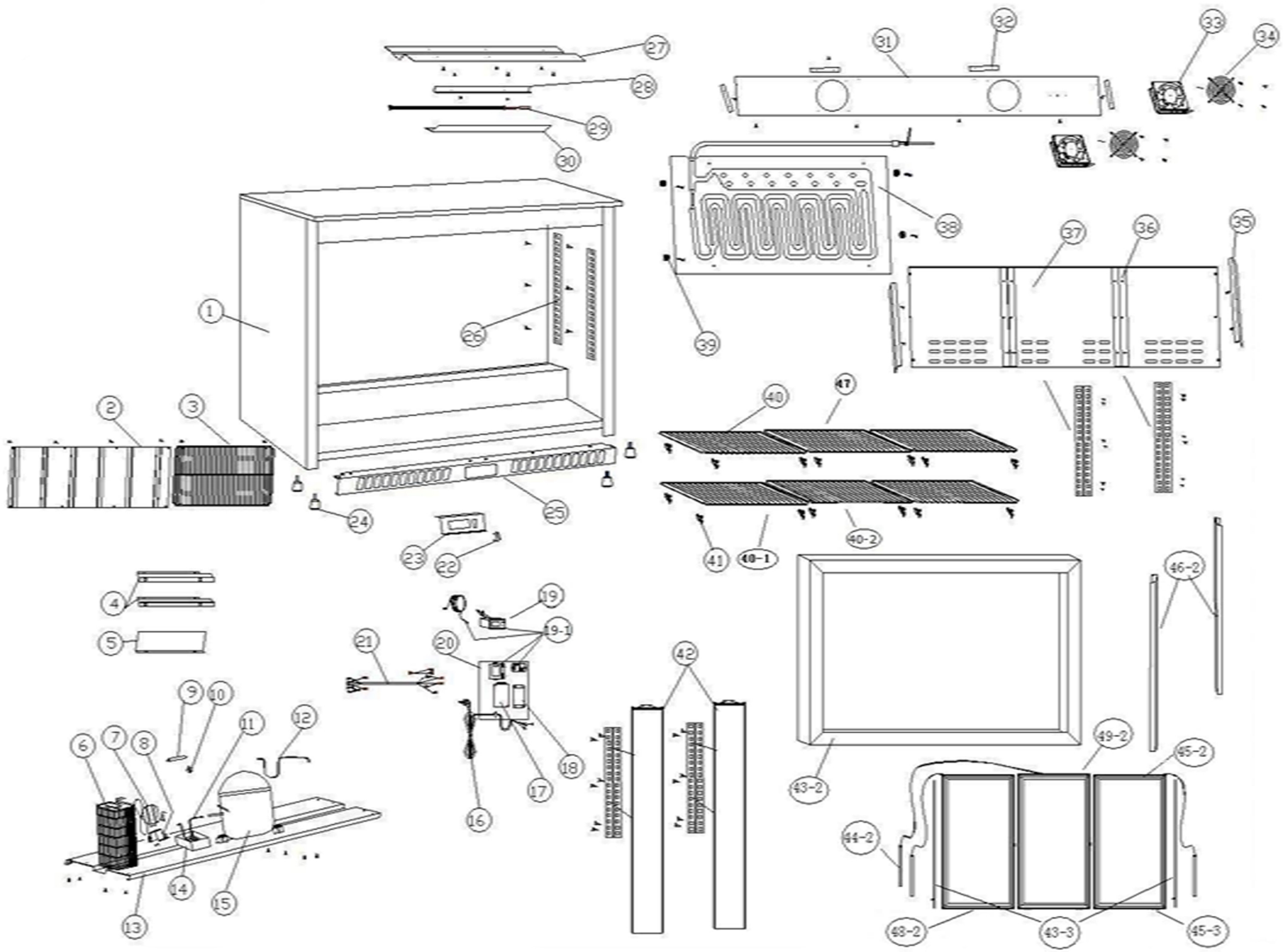


EXPLODED DIAGRAM FOR TRIPLE SLIDING DOOR CATER-COOL BOTTLE COOLERS



Rep	Description	Qty per item
1	The Body	1
2	Compressor compartment back board	1
3	Compressor compartment net board	1
4	Exhaust plate Fortified board	1
5	Baffle	1
6	Wire condenser	1
7	Condenser fan motor	1
8	Condenser fan motor holder	1
9	Filter	1
10	Filter clip	1
11	Evaporating Tube	1
12	Connecting tube for the circumfluence	1
13	Compressor fixing plate	1
14	Water tray	1
15	Compressor	1
16	Power wire with plug	1
17	Junction box	1
18	LED Ballast	1
19	Digital displayer	1
19-1	Digital displayer(SET)	1
20	Appliance fixing plate	1
21	Connecting cable	1
22	Light switch	1
23	Displayer Fixing Plate	1
24	Adjusting foot	4
25	Exhaust plate assemblies	1
26	Pilaster	8
27	Light tube fixing plate	1
28	Light cover clip plate	1
29	LED Light	1
30	Transparent light cover	1
31	Evaporator fan motor plate	1
32	Fan motor plate support	3
33	Evaporator fan motor	1
34	Evaporator fan motor cover	1
35	Evaporator baffle support	2
36	Pilaster holder	1
37	Evaporator baffle	1
38	Evaporator	1
39	Evaporator support	4
40	Shelf	4
40-1	Wine shelf for two side	4
40-2	Wine shelf for middle	2
41	K Clip	16
42	Pilaster assemblies	1
43-2	Door frame	1
43-3	Door seal	1
44-2	Plummet	3
45-2	Door(right)	1
45-3	Door wheel	2
46-2	Plummet cover	3
47	Shelf(middle)	2
48-2	Door(left)	1
49-2	Door(middle)	1